

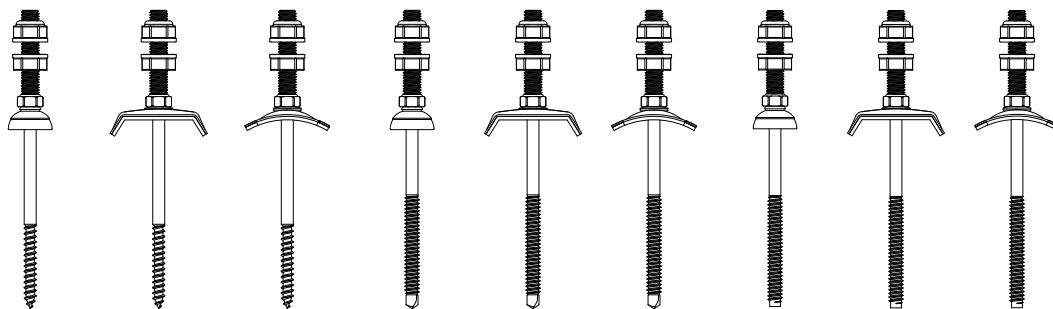
## Montageanleitung

Solarbefestiger JA3-SB | JT3-SB | JZ3-SB

## *Assembly instruction*

*Solar Fastener JA3-SB | JT3-SB | JZ3-SB*

**Klassifikation**



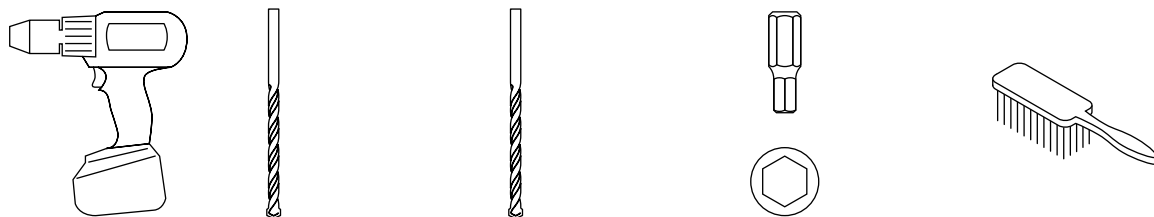
<b>Befestiger</b>	JA3-SB-8,0xL JA3-SB-10,0xL	JA3-SB-8,0xL JA3-SB-10,0xL	JA3-SB-8,0xL JA3-SB-10,0xL	JT3-SB-8,0xL	JT3-SB-8,0xL	JT3-SB-8,0xL	JZ3-SB-8,0xL	JZ3-SB-8,0xL	JZ3-SB-8,0xL
<b>Dicht- element</b>	Faserzement- dichtung FZD	Dichtscheibe E16	Dichtscheibe E16	Faserzement- dichtung FZD	Dichtscheibe E16	Dichtscheibe E16	Faserzement- dichtung FZD	Dichtscheibe E16	Dichtscheibe E16
<b>ORKAN- Kalotte</b>	-	Trapez	Welle	-	Trapez	Welle	-	Trapez	Welle
<b>ETA</b>	-	22/0762	22/0762	-	22/0762	22/0762	-	22/0762	22/0762
<b>t<sub>1</sub></b>	Faserzement- Wellprofil	Stahltrapez- profil / Sand- wichelement	Stahlwell- profil / Sand- wichelement	Faserzement- Wellprofil	Stahltrapez- profil / Sand- wichelement	Stahlwell- profil / Sand- wichelement	Faserzement- Wellprofil	Stahltrapez- profil / Sand- wichelement	Stahlwell- profil / Sand- wichelement
<b>d<sub>1</sub> [mm]</b>	11*	-	-	11*	-	-	11*	-	-
<b>t<sub>II</sub></b>	Holz	Holz	Holz	Stahl	Stahl	Stahl	Stahl	Stahl	Stahl

\*Bitte beachten Sie die Vorgaben des Faserzement-Wellprofilherstellers.

**Bohrlochdurchmesser**

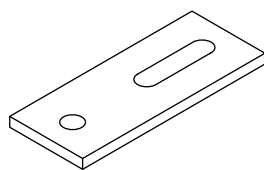
<b>Befestiger</b>	JA3-SB-8,0xL	JA3-SB-10,0xL	JT3-SB-8,0xL				JZ3-SB-8,0xL				
<b>t<sub>II</sub></b>	Holz	Holz	Stahl (S235-EN 10025-1)				Stahl (S235-EN 10025-1)				
<b>t<sub>II</sub> [mm]</b>	≥ 32	≥ 32	1,5 < 3,0	3,0 < 5,0	5,0 < 7,5	7,5 < 10	≥ 10	1,5 < 5,0	5,0 < 7,5	7,5 < 10	≥ 10
<b>d<sub>0</sub> [mm]</b>	5,5	7,0	-	6,8	7,0	7,2	7,4	6,8	7,0	7,2	7,4

**Montagewerkzeuge**



Akku-Schrauber	d <sub>0</sub> 11 mm*	d <sub>0</sub> 6,8–7,4 mm	Form C 6,3 SW5	Handfeiger
----------------	-----------------------	---------------------------	----------------	------------

**Zubehör**



SB-Flachstahl  
Artikelnummer 3110001000

**Hinweise**



Montageanweisung  
Schienenhersteller

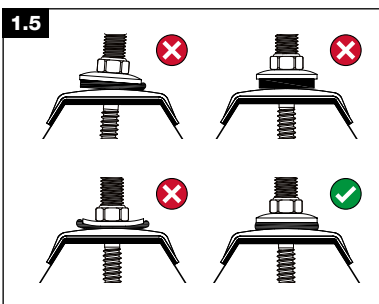
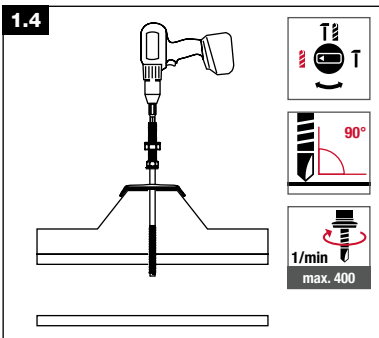
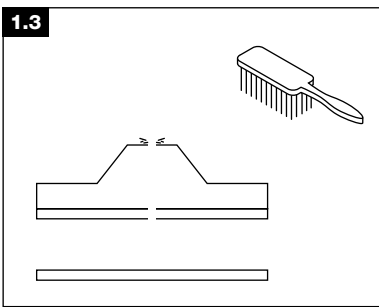
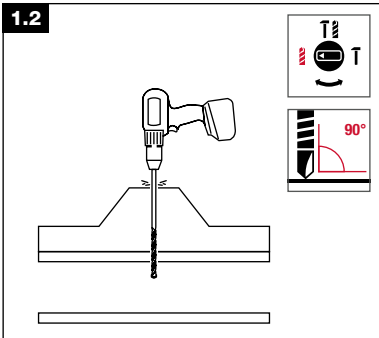
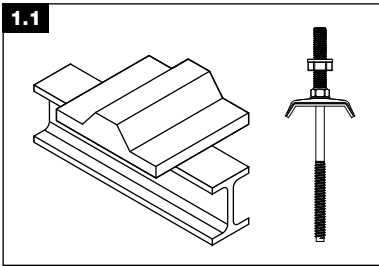


ETA-22/0762

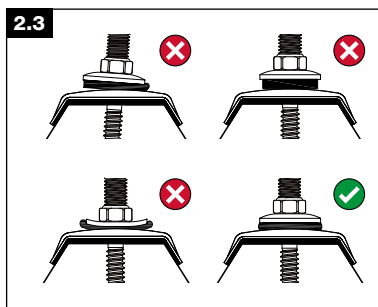
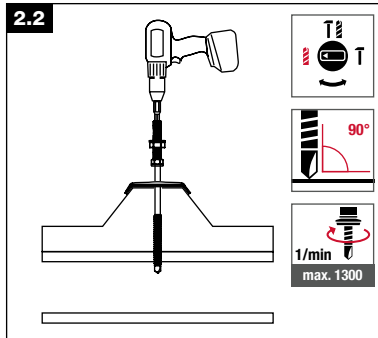
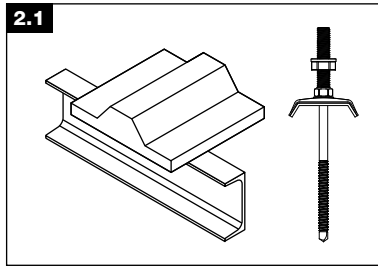


Achs- und Randabstände  
(gültige Regeln der Technik)

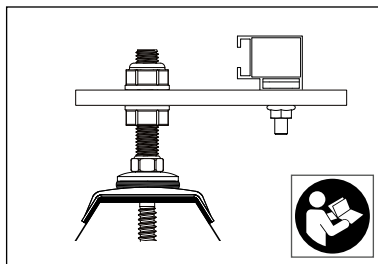
Montageablauf (Beispiel 1)



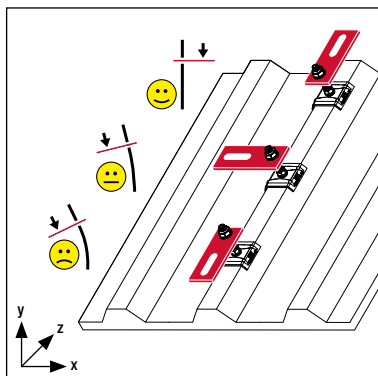
Montageablauf (Beispiel 2)



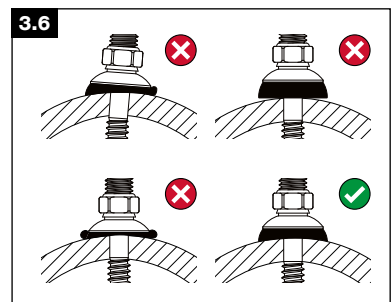
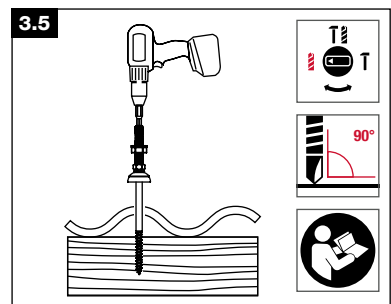
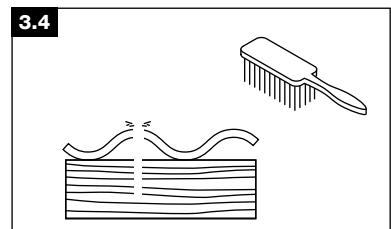
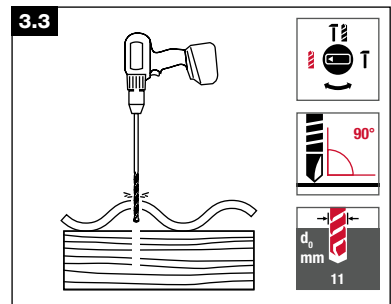
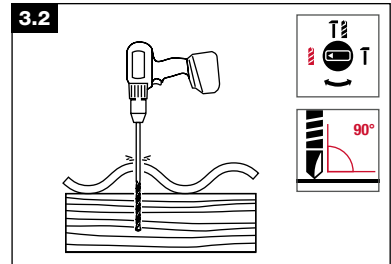
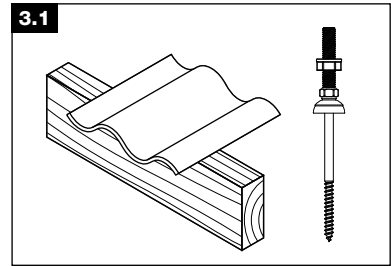
Schienanbindung (Beispiel)



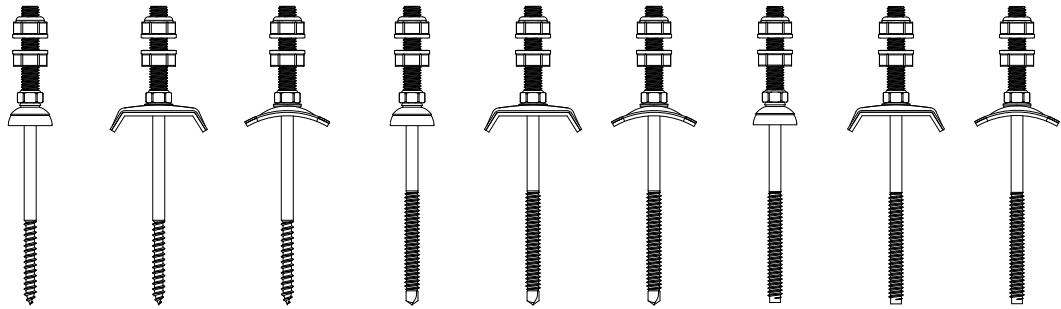
Ausrichtung SB-Flachstahl



Montageablauf (Beispiel 3)



**Classification**



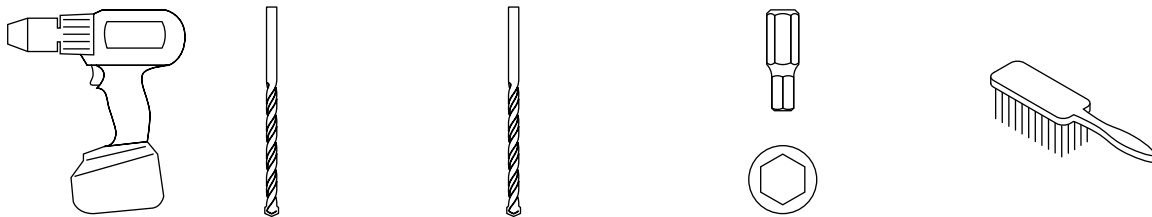
<b>Fastener</b>	JA3-SB-8.0xL JA3-SB-10.0xL	JA3-SB-8.0xL JA3-SB-10.0xL	JA3-SB-8.0xL JA3-SB-10.0xL	JT3-SB-8.0xL	JT3-SB-8.0xL	JT3-SB-8.0xL	JZ3-SB-8.0xL	JZ3-SB-8.0xL	JZ3-SB-8.0xL
<b>Sealing element</b>	Fibre cement seal FZD	Sealing washer E16	Sealing washer E16	Fibre cement seal FZD	Sealing washer E16	Sealing washer E16	Fibre cement seal FZD	Sealing washer E16	Sealing washer E16
<b>ORKAN storm washer</b>	-	Trapezoidal	Corrugated	-	Trapezoidal	Corrugated	-	Trapezoidal	Corrugated
<b>ETA</b>	-	22/0762	22/0762	-	22/0762	22/0762	-	22/0762	22/0762
<b>t<sub>1</sub></b>	Corrugated fibre cement profile	Trapezoidal steel profile / sandwich panel	Corrugated steel profile / sandwich panel	Corrugated fibre cement profile	Trapezoidal steel profile / sandwich panel	Corrugated steel profile / sandwich panel	Corrugated fibre cement profile	Trapezoidal steel profile / sandwich panel	Corrugated steel profile / sandwich panel
<b>d<sub>1</sub> [mm]</b>	11*	-	-	11*	-	-	11*	-	-
<b>t<sub>II</sub></b>	Timber	Timber	Timber	Steel	Steel	Steel	Steel	Steel	Steel

\*Please observe the specifications given by the manufacturer of the corrugated fibre cement profile.

**Drill hole diameter**

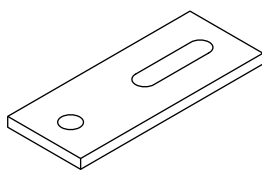
<b>Fastener</b>	JA3-SB-8.0xL	JA3-SB-10.0xL	JT3-SB-8.0xL				JZ3-SB-8.0xL				
<b>t<sub>II</sub></b>	Timber	Timber	Steel (S235-EN 10025-1)				Steel (S235-EN 10025-1)				
<b>t<sub>II</sub> [mm]</b>	≥ 32	≥ 32	1.5 < 3.0	3.0 < 5.0	5.0 < 7.5	7.5 < 10	≥ 10	1.5 < 5.0	5.0 < 7.5	7.5 < 10	≥ 10
<b>d<sub>0</sub> [mm]</b>	5.5	7.0	-	6.8	7.0	7.2	7.4	6.8	7.0	7.2	7.4

**Installation tools**



Cordless screwdriver	d <sub>0</sub> 11 mm*	d <sub>0</sub> 6.8–7.4 mm	Form C 6.3 SW5	Hand brush
----------------------	-----------------------	---------------------------	----------------	------------

**Accessories**



SB flat steel  
Article number 3110001000

**Notes**



Assembly instruction  
rail manufacturer

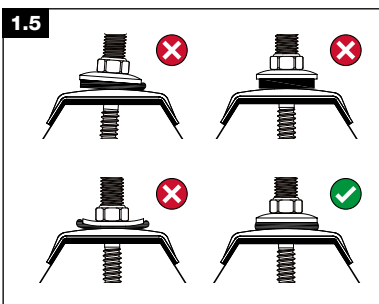
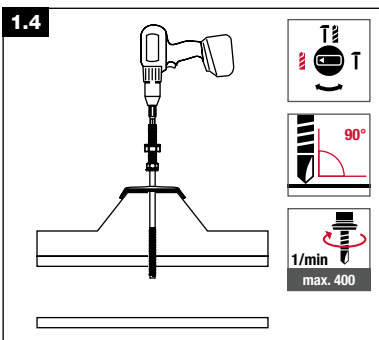
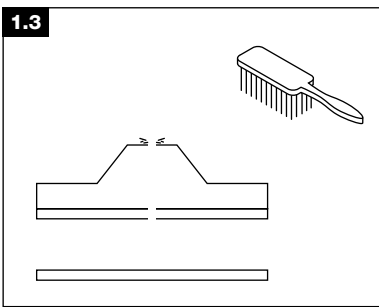
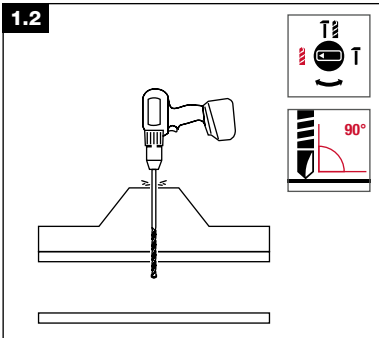
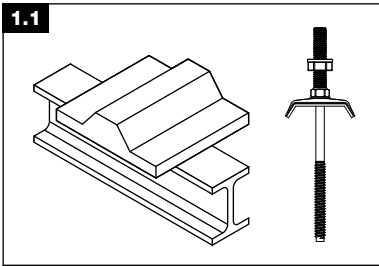


ETA-22/0762

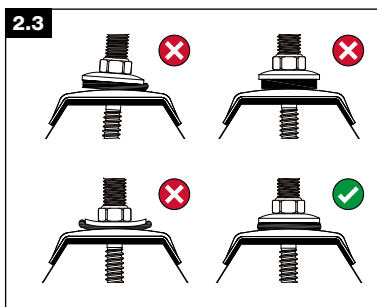
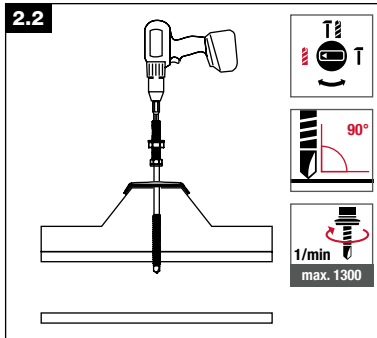
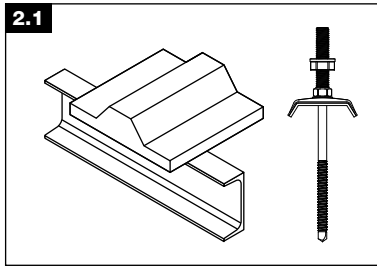


Edge distances and spacings  
(valid rules of technology)

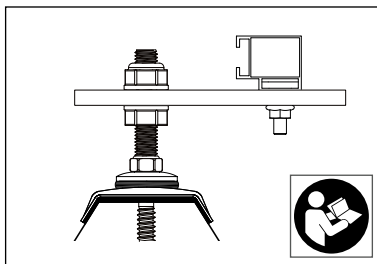
Installation process (example 1)



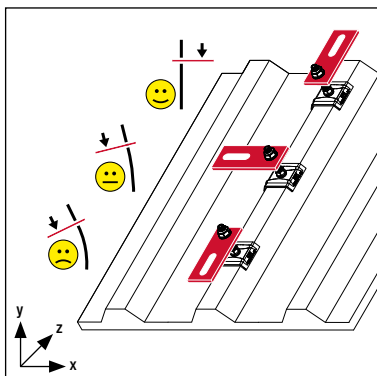
Installation process (example 2)



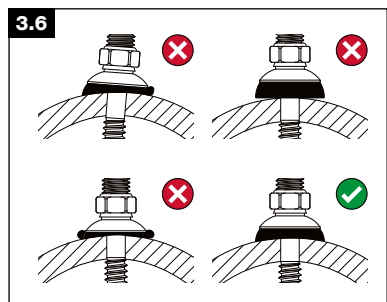
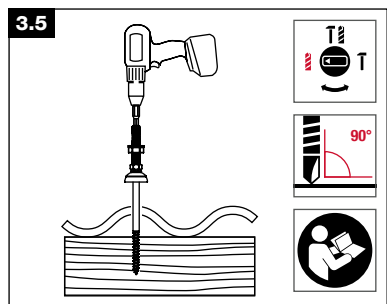
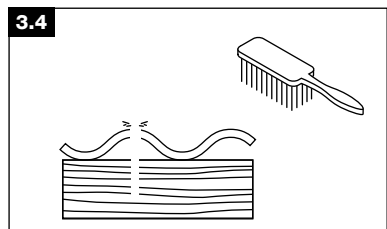
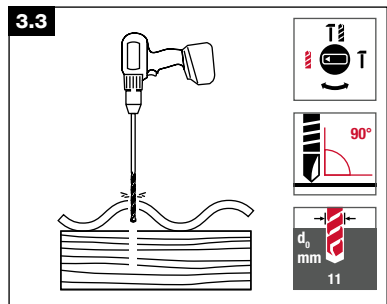
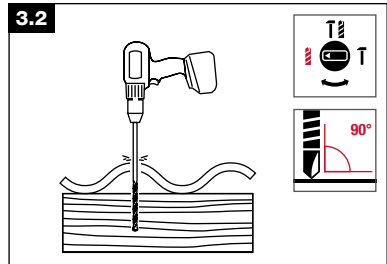
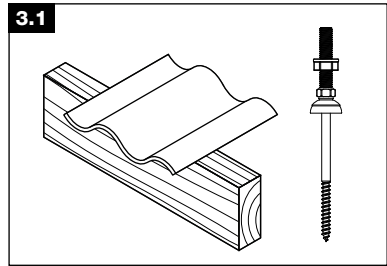
Rail connection (example)



Alignment SB flat steel



Installation process (example 3)





**EJOT SE & Co. KG**

**Market Unit Construction**

In der Stockwiese 35

57334 Bad Laasphe · Germany

T +49 2752 908-0

F +49 2752 908-731

[construction@ejot.com](mailto:construction@ejot.com)

[www.ejot.com/construction](http://www.ejot.com/construction)